

LDP Extensions for MPLS-TP PW Proactive OAM Configuration

[draft-zhang-mpls-tp-pw-oam-config-04](#)

PWE3/MPLS WG, IETF 80th, Prague

Fei Zhang

(zhang.fei3@zte.com.cn)

Bo Wu

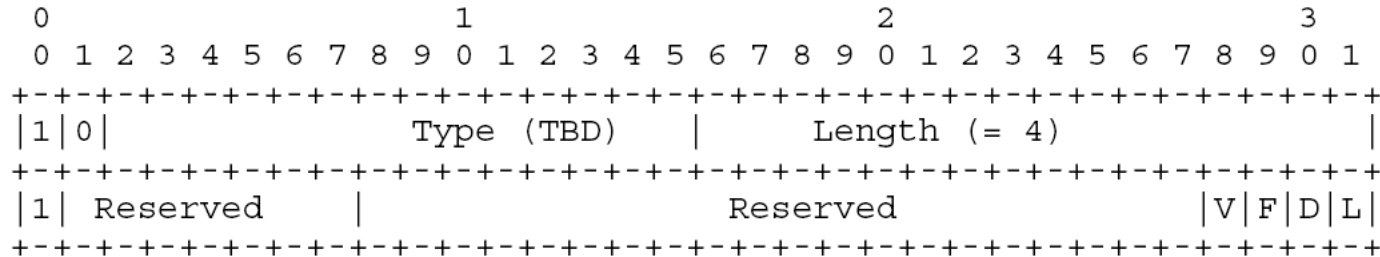
(wu.bo@zte.com.cn)

Elisa Bellagamba

(elisa.bellagamba@ericsson.com)

Changes from last meeting

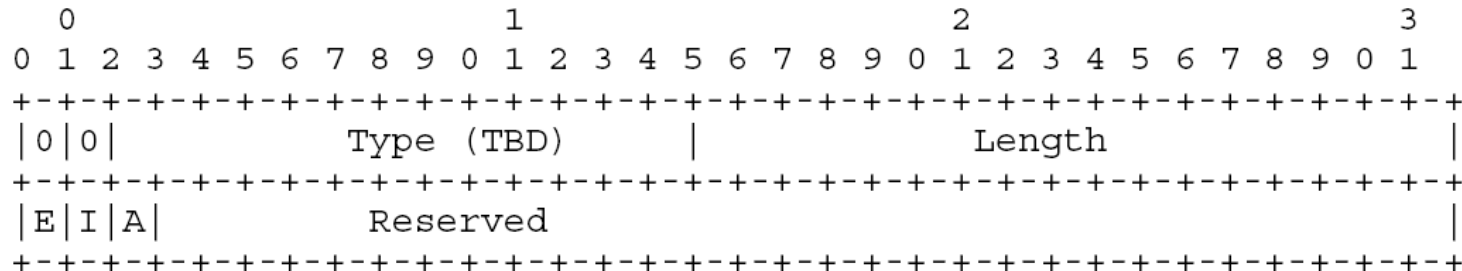
- Move the MPLS-TP PW OAM capability negotiation into the Initialization message



MPLS-TP PW OAM Capability TLV

- ✓ "L" : Loss Measurement supported
- ✓ "D" : Delay Measurement supported
- ✓ "F": Fault Management Signal supported
- ✓ "V": Connectivity Verification supported

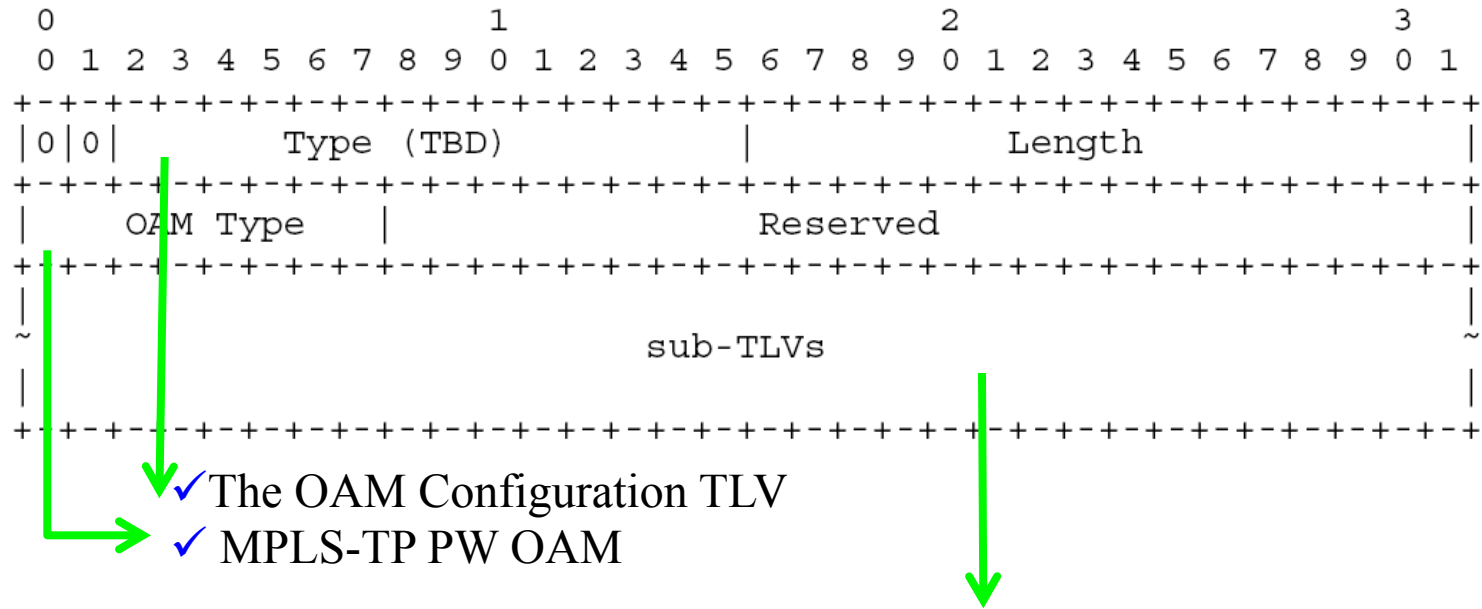
- MPLS-TP PW OAM Administration TLV is used to configure MEP/MIP functions and enable/disable OAM alarms



MPLS-TP PW OAM Administration TLV

- The other revised parts are editorial in nature (Thanks Eric Gray for his review)

The Structure of MPLS-TP PW Proactive OAM Configuration TLV



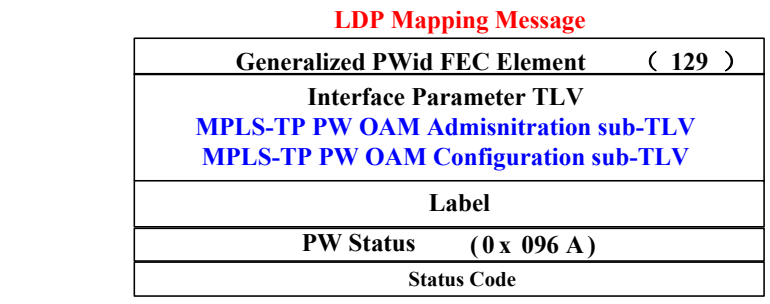
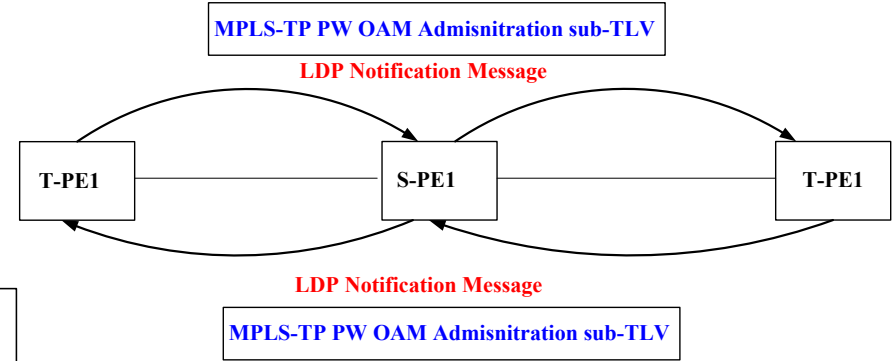
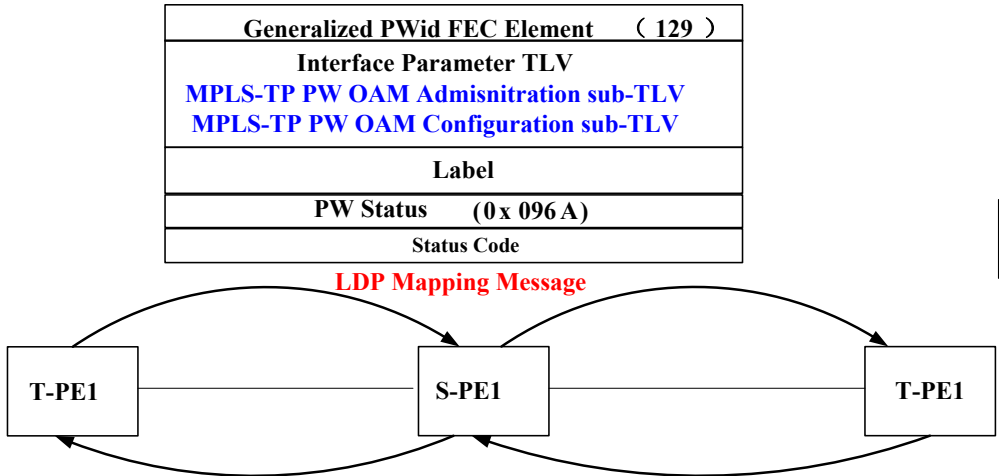
- MPLS-TP PW OAM Function Flags sub-TLV
 - ✓ CC/CV/PM Loss/PM Delay/FMS
- BFD Configuration sub-TLV
 - ✓ Local Discriminator sub-TLV
 - ✓ Negotiation Timer Parameters sub-TLV
 - ✓ BFD Authentication sub-TLV
- MPLS-TP PW PM Loss sub-TLV
- MPLS-TP PW PM Delay sub-TLV
- MPLS-TP PW FMS sub-TLV;

MPLS-TP PW Proactive OAM Configuration Procedure

➤ Step 1: the MPLS-TP PW OAM capability negotiation in the Initialization message

➤ Step 2: Configure the OAM parameters

➤ Step 3: Enable OAM alarms



■ The procedures of adjusting OAM Parameters and Deleting OAM Entities are also described in the document

Next Steps

- Comments/Feedback?
- Keep in parallel with the related work done in MPLS-TP
 - [draft-ietf-ccamp-rsvp-te-mpls-tp-oam-ext](#)
 - [draft-ietf-mpls-lsp-ping-mpls-tp-oam-conf](#)

Adopted as a WG document?