

ALTO IPv4/IPv6 Co-existence and Transition

draft-penno-alto-ipv4v6-00

Reinaldo Penno, rpenno@juniper.net

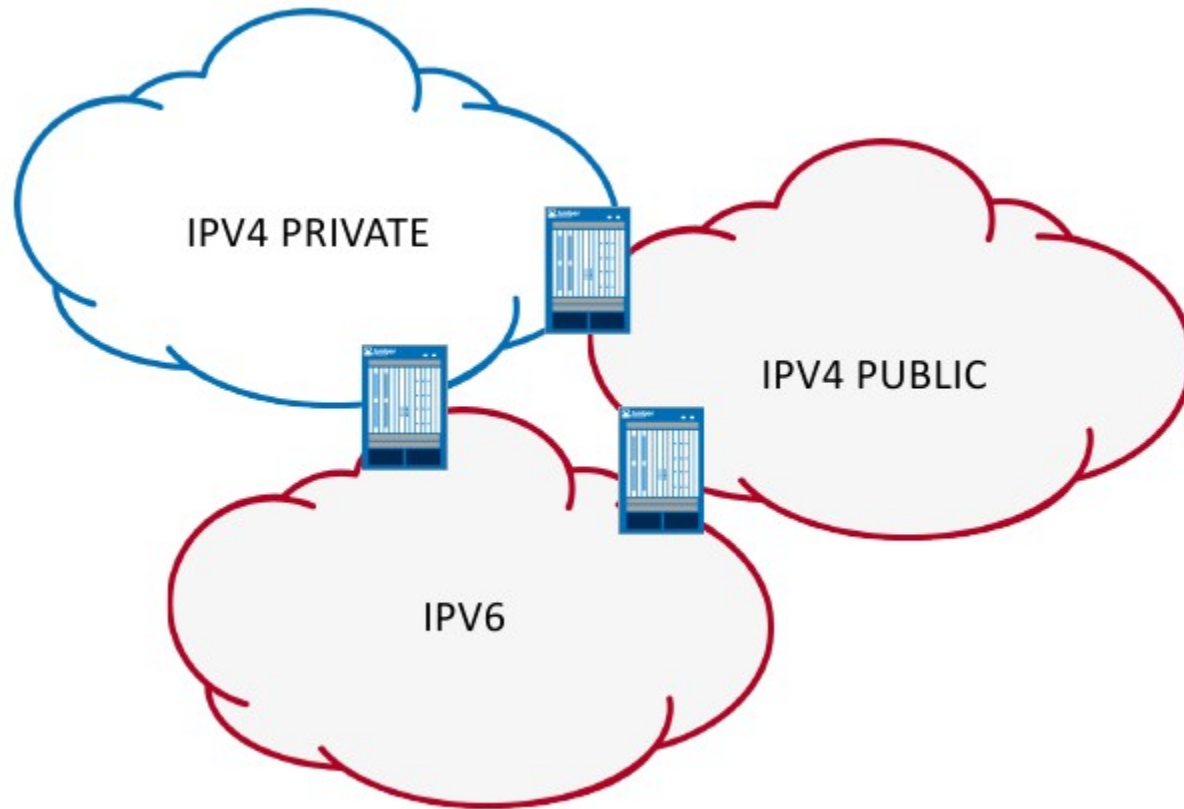
Jan Medved, jmedved@juniper.net

ALTO WG, IETF 78

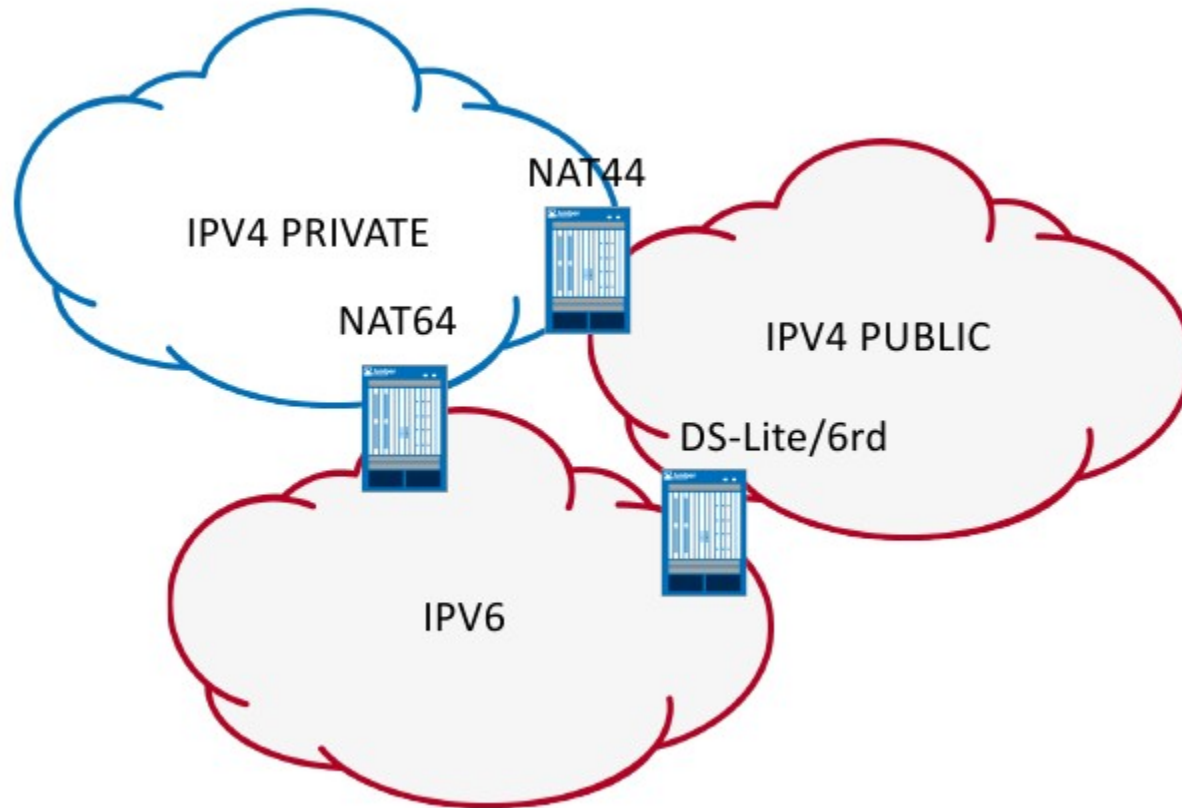
The Problem

- We are running out of IPv4
- Today there are already three address families on the Internet: IPv6, IPv4-Private, and IPv4-Public
- Most co-existence tools involve some kind of NAT
 - NAT moves into the network
- Other techniques involve creating an overlay

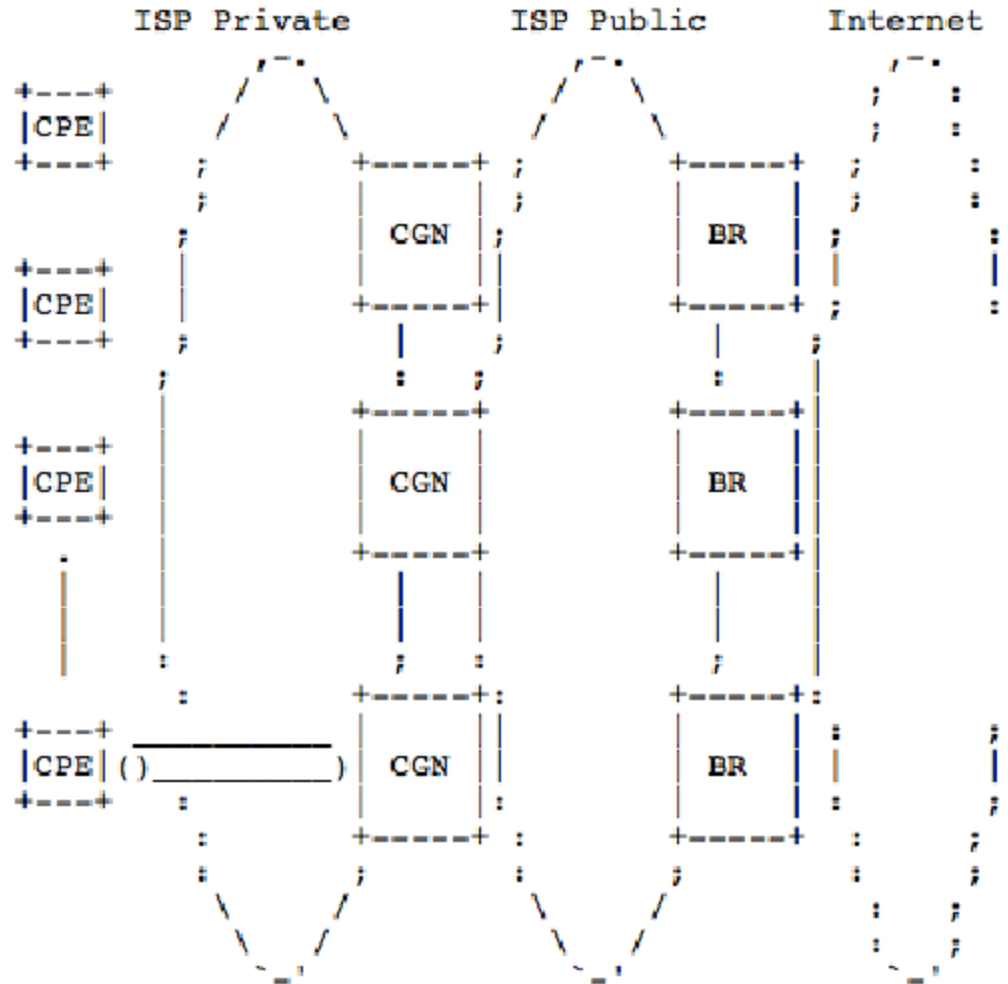
Multiple Address Families



Different Transition Techniques



Reference Architecture



Discussion Points

- Placement of ALTO Server
 - ALTO Server in ISP's Public network
 - ALTO Server in ISP's Private network
 - Overlays
- Network map
- Cost Map
 - Hairpinning, internal vs. Public
- Endpoint Property/Cost
- Map redistribution