



Together with NEXTEL

draft-khan-ip-serv-peer-arch-00.txt

IP Service (Voice and Multimedia) Peering Architecture

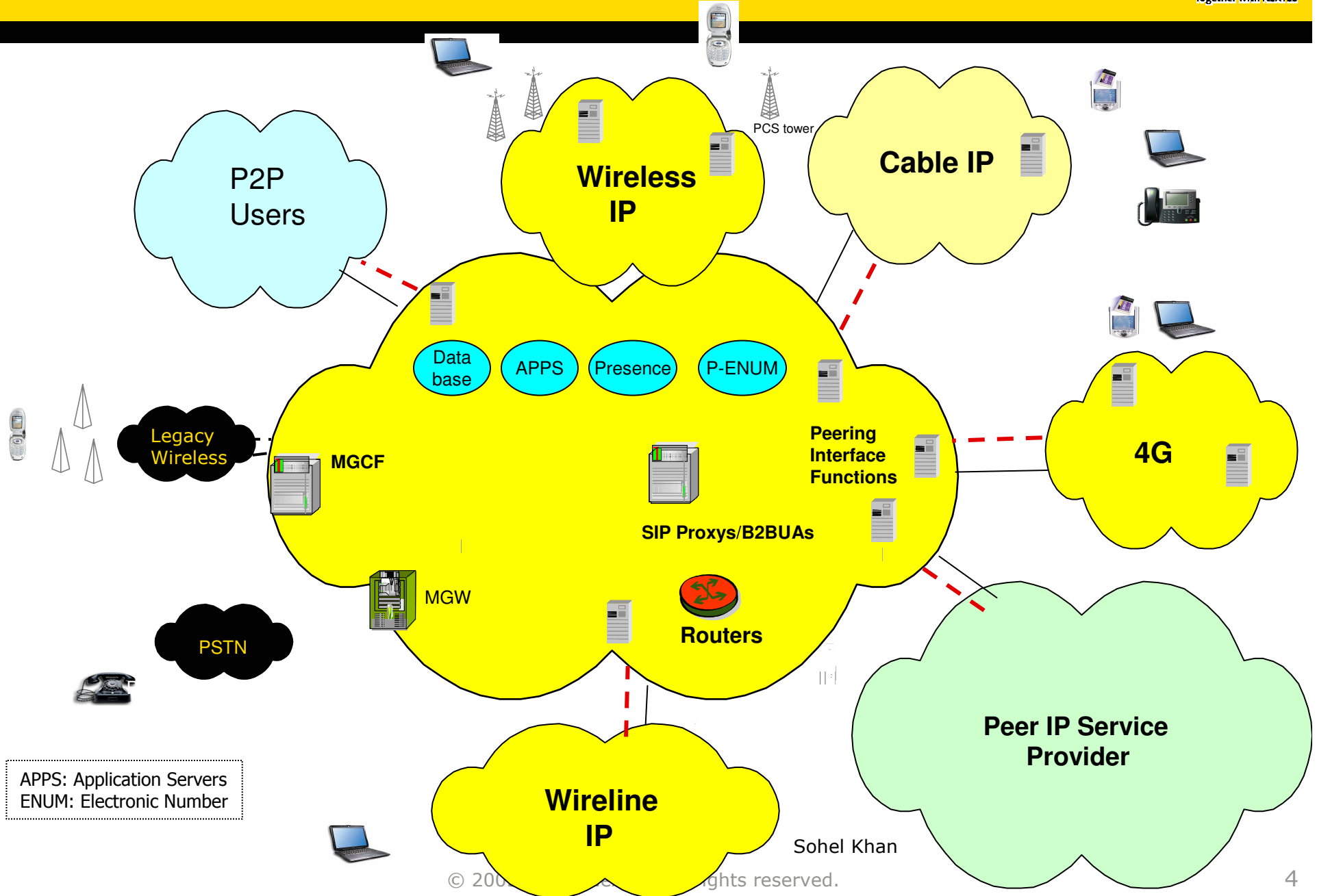
Sohel Khan, Ph.D.
Technology Strategist

Content of the Draft

- Chapter 1:
 - Introduction
- Chapter 3:
 - Definition
- Chapter 4:
 - IP Service (Voice + Multimedia) Provider Network
- Chapter 5:
 - Peering Interface Functions
- Chapter 6:
 - Reference IP Service Provider Peering Architecture
- Chapter 7:
 - Type of peering interfaces

- IP Service (Voice + Multimedia) Provider
 - Provides telecommunication and entertainment services using IP
 - An entity that provides voice, video, data and multimedia related IP services
- Examples of IP services
 - SIP Processing and Transport
 - Media Processing and Transport
 - Security and Policy Implementation
 - Emerging application support
- Examples of End Users of IP Service providers
 - PSTN
 - IP Wireless
 - Non IP Wireless
 - Cable
 - Media Distributors
 - SIP based devices
 - Users
 - Applications

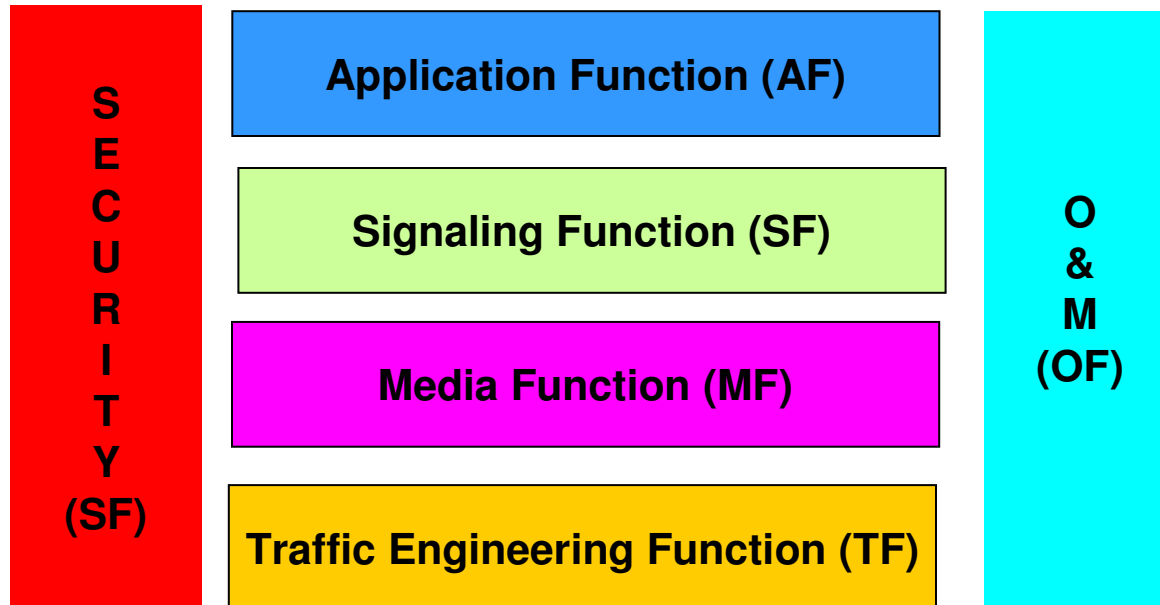
IP Service Provider Network



APPS: Application Servers
ENUM: Electronic Number

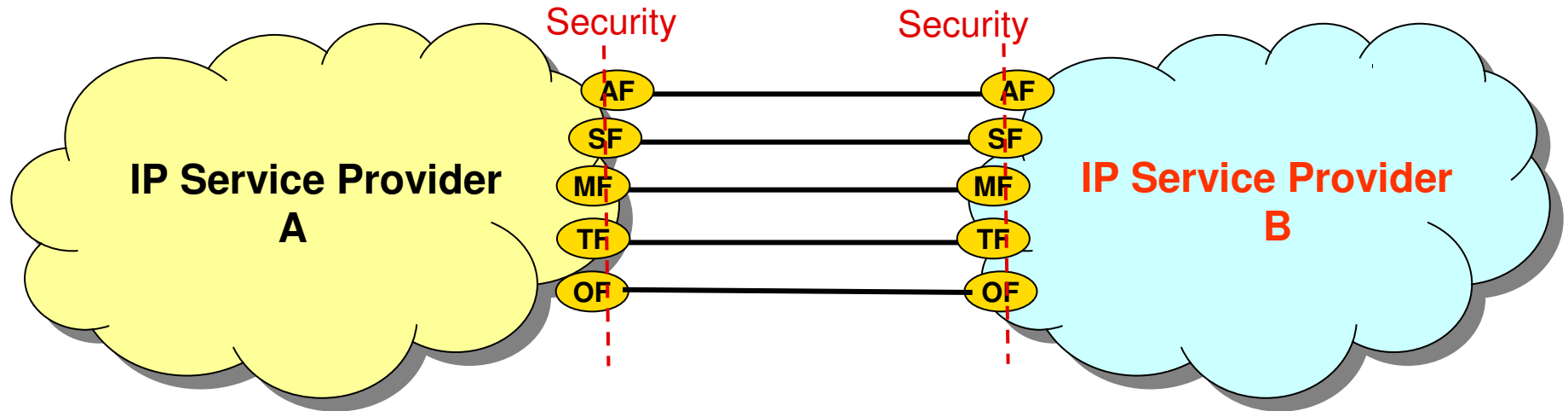
Sohel Khan

Peering Interface Functions



Sohel Khan

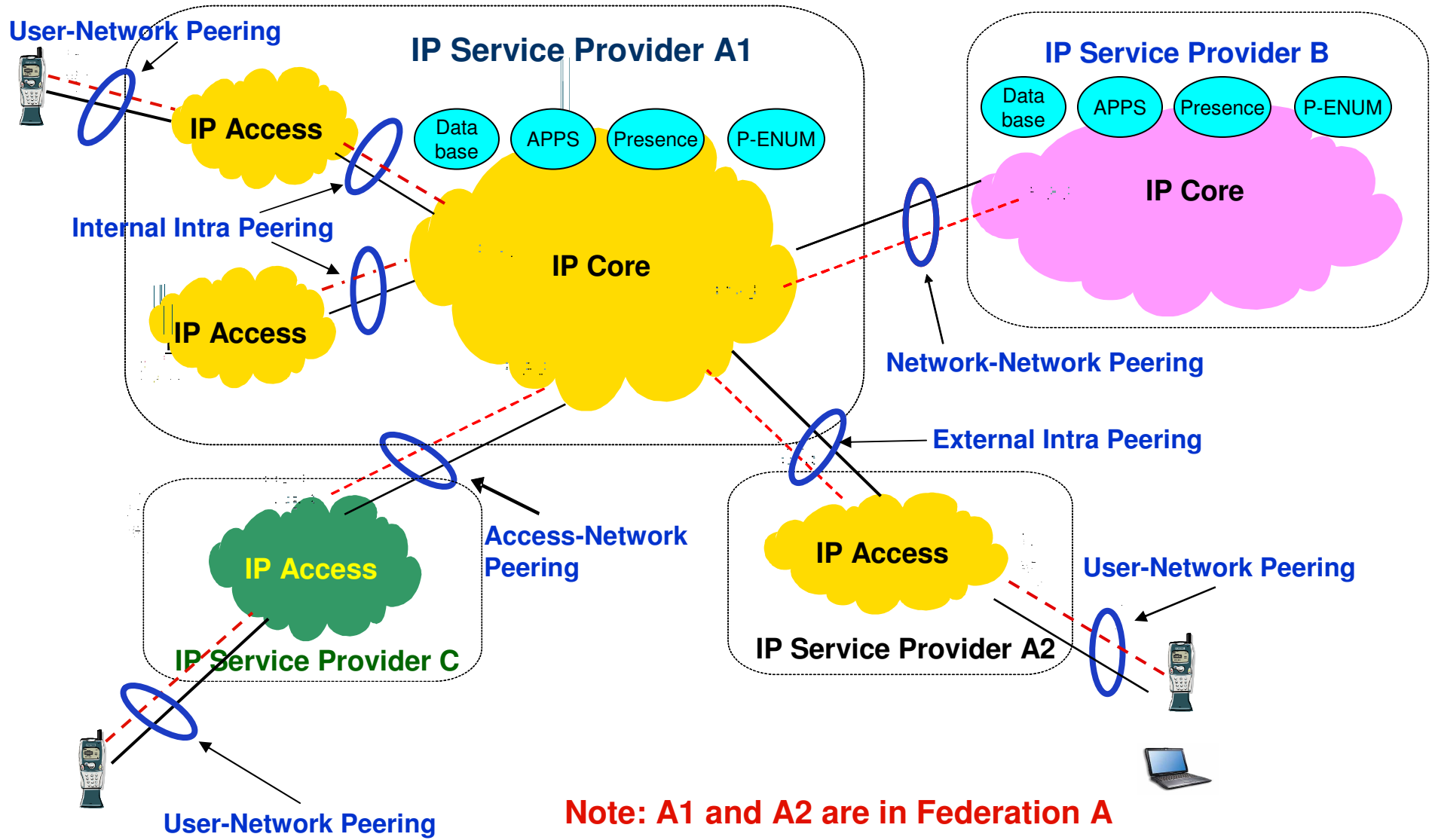
Reference Peering Functions



Ref.	Example Functions
SF	SIP Proxy, B2BUA, Session Admission Control (SAC), SIP Interoperability, SIP DoS protection, SIP Topology Hiding; SIP Security, Privacy and Encryption
MF	Transcoding, Data integrity, Media security, Privacy, and Encryption
TF	Routing Protocol harmonization, VPN mediation, Session Admission Policy Enforcement, Rate Shaping, Load Balancing, Bandwidth theft protection, Data integrity, Network Address Translation (NAT)
OF	CALEA Implementation; Accounting, Billing and Operational Data Mediation
AF	An Interworking service coordinator

Sohel Khan

Type of Peering Interface



Sohel Khan

Next Step

- Looking for a co-author to continue work on the draft
or
Merge information of this draft to other SPEERMINT drafts