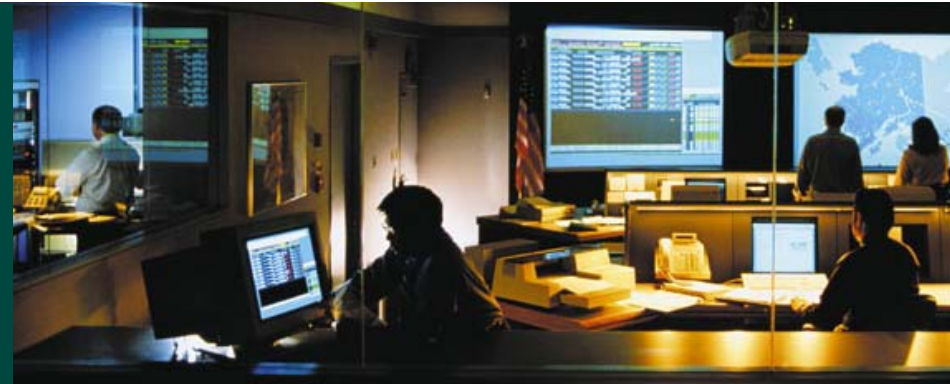




Virtual Fabric MIB



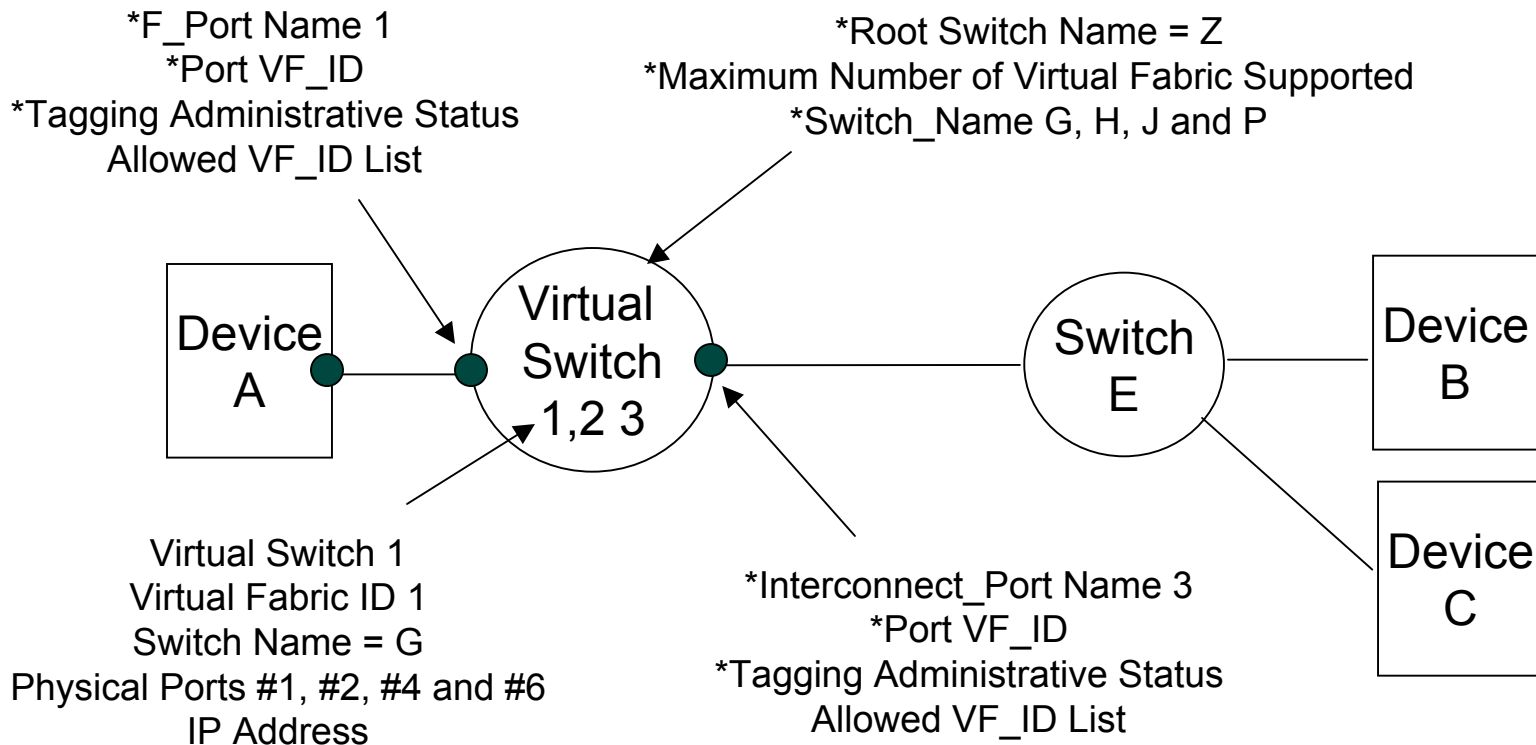
Scott Kipp

3- 24- 05

05-068v2

Managing Virtual Fabrics

- **Various new parameters need to be managed for Virtual Fabrics (partially from 04-395v3)**



* Fields proposed for inclusion in the VF MIB.

Administrator's View: Tables in the MIB

- **Physical Switch Table**
 - Index {Core_Switch_Name}
 - Max# Virtual Fabrics Supported on Switch
- **Virtual Switch Table**
 - Virtual Fabric ID
 - Core_Switch_Name, WWN of the physical switch hosting the virtual switch
 - RowStatus (to create/remove or enable/disable virtual switch)
 - vfSwitchTable Augments fcmSwitchTable from FC-MGMT-MIB, INDEX {Switch_Name}
- **Port Table**
 - Port Virtual Fabric ID
 - Tagging Admin Status (Auto/on/off negotiation)
 - vfPortTable Augments fcmPortTable from FC-MGMT-MIB, Index {IfIndex}
- **Enabled Table**
 - Index {PortIfIndex, VfId}
 - Row Status