

Interworking between MPLS-TP and IP/ MPLS

`draft-martinotti-mpls-tp-
interworking-02`

R. Martinotti

Ericsson

D. Caviglia

Ericsson

N. Sprecher

NSN

A. D'Alessandro

Telecom Italia

A. Capello

Telecom Italia

Y. Suemura

NEC

Overview

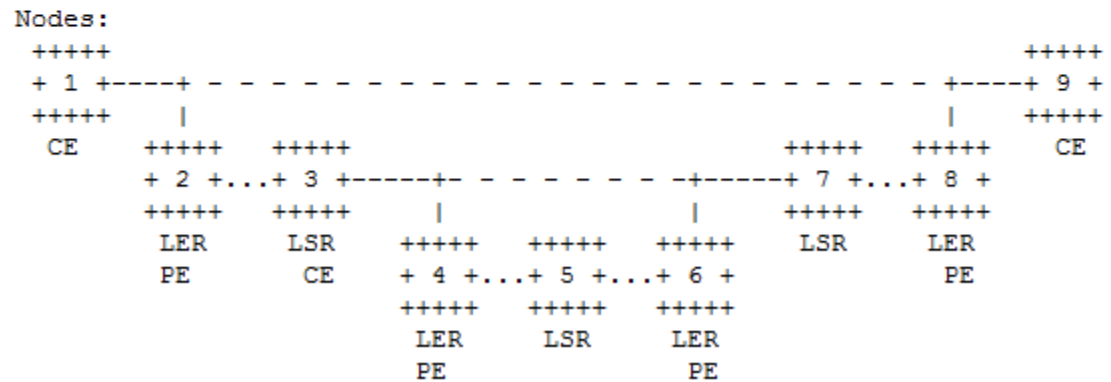
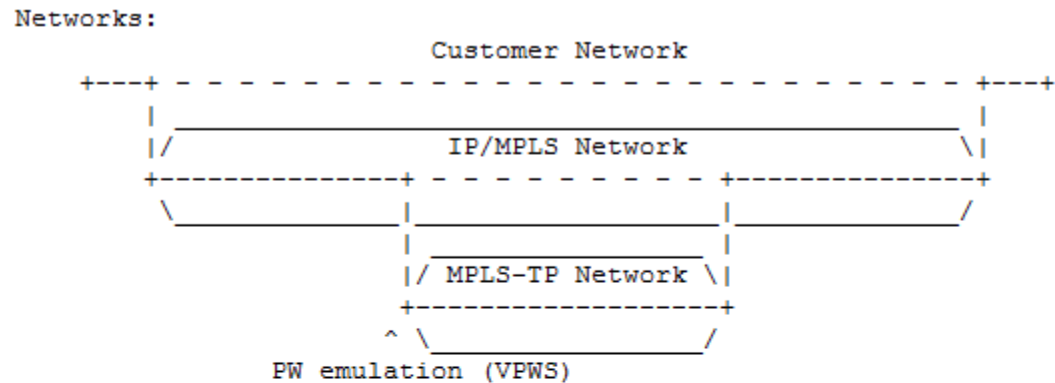
Purpose: To illustrate the most likely interworking scenarios between MPLS-TP and IP/MPLS.

The Previous Version: Defined two interconnectivity options where several aspects like encapsulation, OAM, control plane and fault management are taken into consideration.

Changes in the current version: This is a refresh of the document that reflects how MPLS-TP I-Ds and RFCs have progressed. We also improved the structure for readability, and as the surrounding work has progressed we were able to fill in some of the outstanding gaps.

Interconnectivity Options: Network Layering

- OAM implications
- Control Plane considerations
- Services View
- Resiliency Considerations



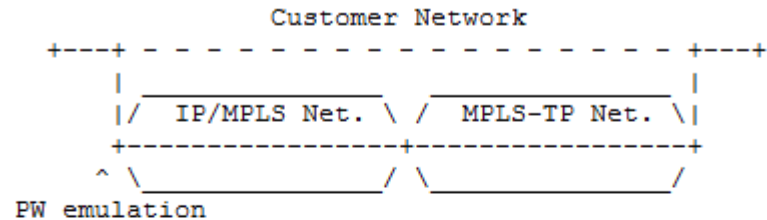
- VLAN based transparent transport of IP/MPLS
- Port based transport of IP/MPLS with Link Layer removal

Interconnectivity Options: Network Partitioning

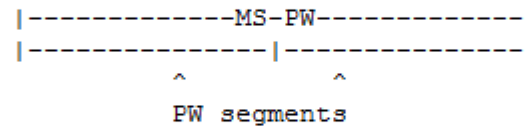
- OAM implications
- Control Plane considerations
- Services View
- Resiliency Considerations

- Border Node
 - Multi Segment PW
 - LSP-stitching
- Border Link
 - Multi Segment PW
 - LSP-stitching

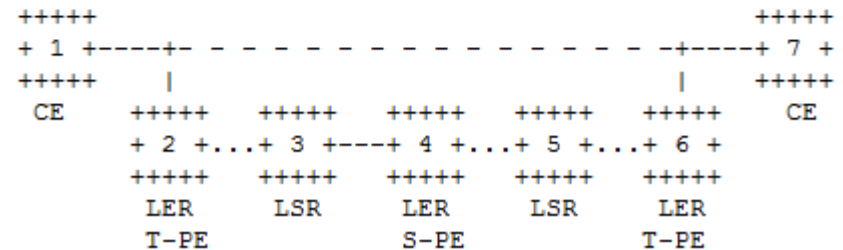
Networks:



PWs:



Nodes:



Next Steps

- Collect comments from the Working Group