

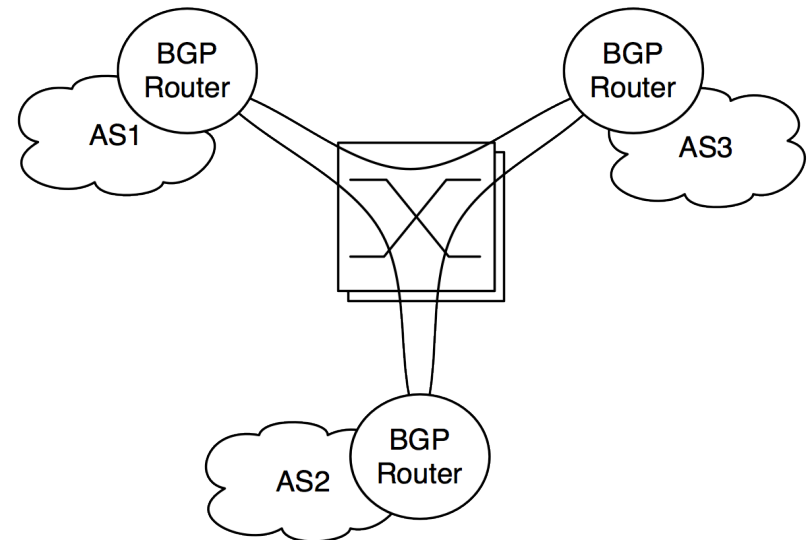
Internet Exchange Route Server

draft-jasinska-ix-bgp-route-server-01

elisa@lnw.com
nick@inex.ie
raszuk@cisco.com
niels.bakker@ams-ix.net

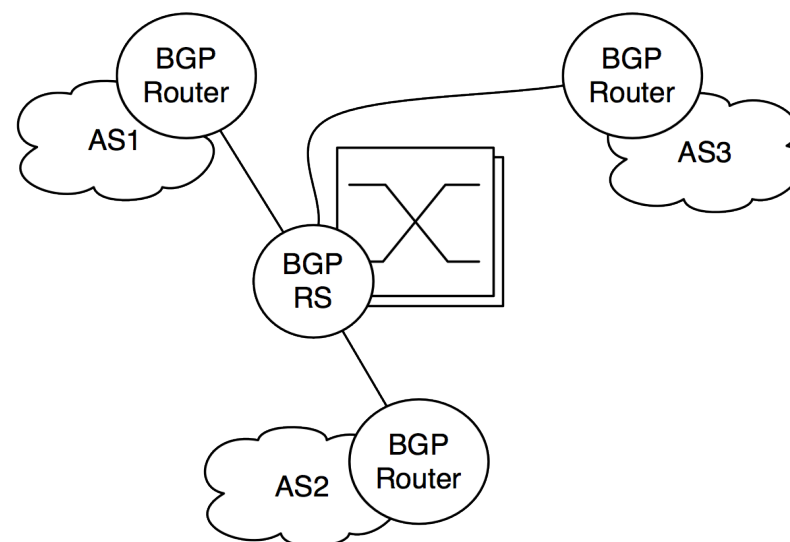
Internet Exchange Interconnection

- IXP – Shared Ethernet platform
- Dense interconnection between participants (by the means of BGP)
- $n*(n-1)/2$ BGP sessions, where n is the number of routers at the exchange



Internet Exchange Route Server

- Multilateral interconnection with intermediate broker system – route server
- n BGP sessions, where n is the number of routers at the exchange
- Transparent BGP node
- Immediate dense interconnection



Motivation

- Three open source route server implementations
- No reference or documentation
- -00 presented in GROW at IETF78 in Maastricht

Proposed Document

- Technical considerations
 - Attribute transparency
 - Per-client filtering
- Operational considerations
 - Scaling
 - NLRI Leakage
 - Redundancy
 - AS_PATH consistency
 - Implementing routing policy

Next Steps

- Feedback and comments are welcome!
- Looking for WG adoption in GROW