

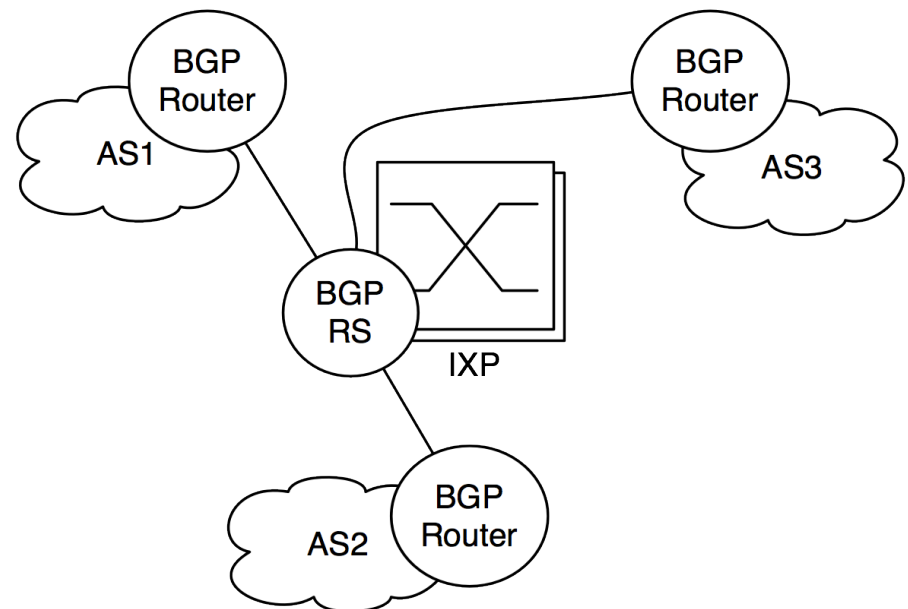
# Internet Exchange Route Server Update

draft-jasinska-ix-bgp-route-server-01

[elisa@lnw.com](mailto:elisa@lnw.com)  
[nick@inex.ie](mailto:nick@inex.ie)  
[raszuk@cisco.com](mailto:raszuk@cisco.com)  
[niels.bakker@ams-ix.net](mailto:niels.bakker@ams-ix.net)

# Internet Exchange Route Server

- Multilateral interconnection with intermediate broker system – route server
- Transparent BGP node
- Reduces max the number of BGP sessions at an Internet exchange point to  $n$ , where  $n$  is the number of routers at the exchange



# Internet Exchange Route Server

- Attribute transparency
  - NEXT\_HOP
  - AS\_PATH
  - MULTI\_EXIT\_DISC
  - Communities
- Routing Policy and prefix hiding
- Operational considerations
  - Scaling
  - Protection against NLRI leaks
  - Redundancy

# Status of the Document

- -00 presented at GROW at IETF78 in Maastricht
- Informational status
- Attribute transparency slightly modifies RFC4271
- Standards track in -01

# Diff

- Many nits fixed
- Added section on implementation of routing policies
- Added section on AS\_PATH consistency check, aka “no enforce-first-as”
- Clarified terminology “route server” vs. “route views” vs. “route collector”
- Improved ASCII art
- Considered RFC 1863 (obsoleted by RFC 4223)
- Included scaling considerations according to Ramesh Govindan

# Next Steps

- Presented at IDR yesterday
- Recommendation to split the document in two parts
  - Technical considerations in IDR WG
  - Operational section in GROW WG