

Flow Binding Support for Mobile IPv4

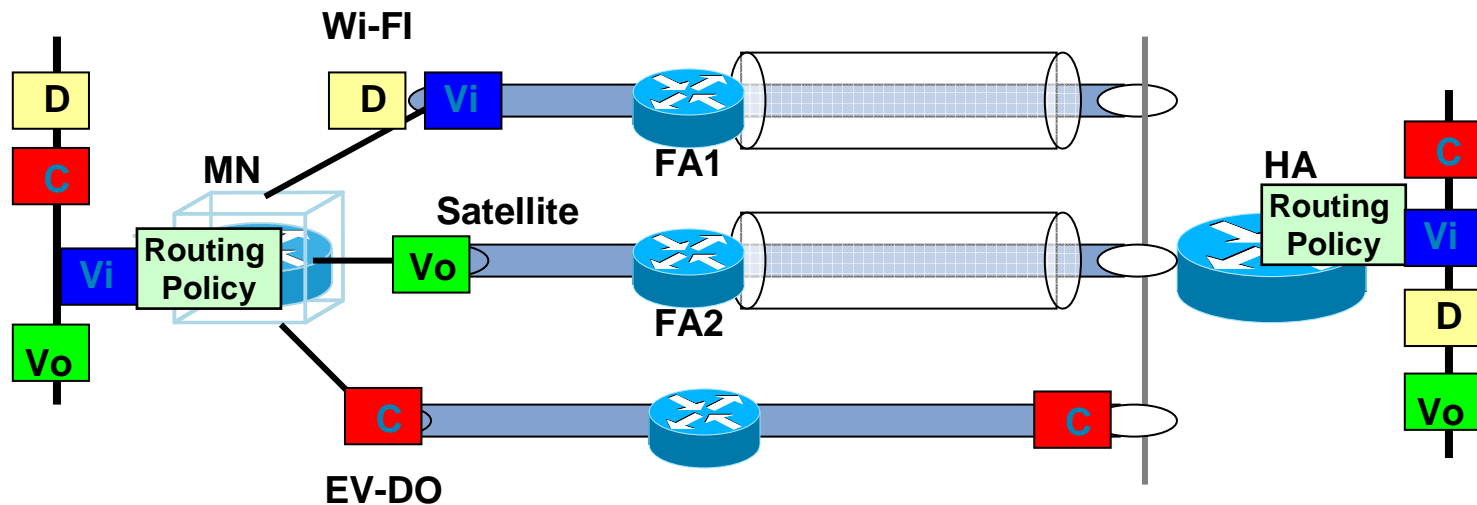
draft-gundavelli-mip4-multiple-tunnel-support-03.txt

Draft Status

- The -00 version of this draft covered the multiple tunnel support between the mobile node and the home agent. It defined the extensions on the home agent, foreign agent and the mobile node for supporting this capability. It had support for only static flow policies.
- The working group suggested we include dynamic flow policy negotiation work.
- The updated draft -03 version has the complete support for dynamic flow policy management across multiple tunnel paths between the mobile node and the home agent. It has the needed semantics for defining a flows and binding it with a given care-of address. New Mobile IP options are defined for supporting this capability.
- Leveraged the flow policy work done in Mobile IPv6 (Binary Flow Filters) and earlier drafts.

Policy Routing with Multiple Tunnels

- The mobile node can register multiple care-of addresses with the home agent. A tunnel path is established for each of the registered care-of addresses.
- The mobility entities will exchange the flow information and associate them with a given care-of address.



New Options & Next Steps

- The following new Mobile IP extensions are defined for supporting this feature. These options allow the the mobility entities for:
 - Registering the CoA Address using Alternate-CoA Extension
 - Flow Identification Extension mapping flows to a registered CoA.
- To most part this work is completely leveraged from the MEXT efforts. New Processing rules and considerations are specified for all the mobility entities.
- The next steps are to publish this document as a working group document.

Thank You

