

Experimental Results of Vehicular Networks

draft-lach-nemo-experiments-overdrive-01.txt

Hong-Yon Lach

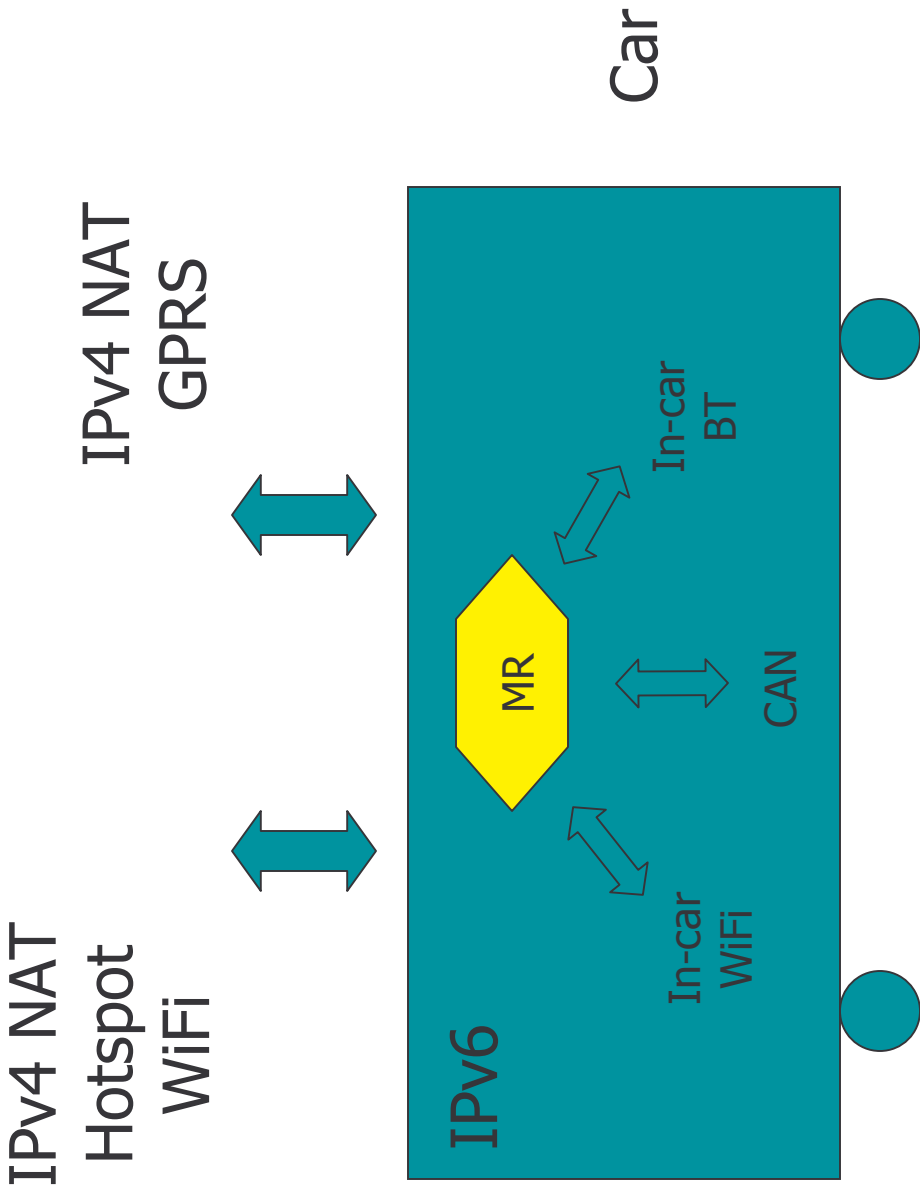
Motorola

Nov 12th 2003, Minneapolis, IETF

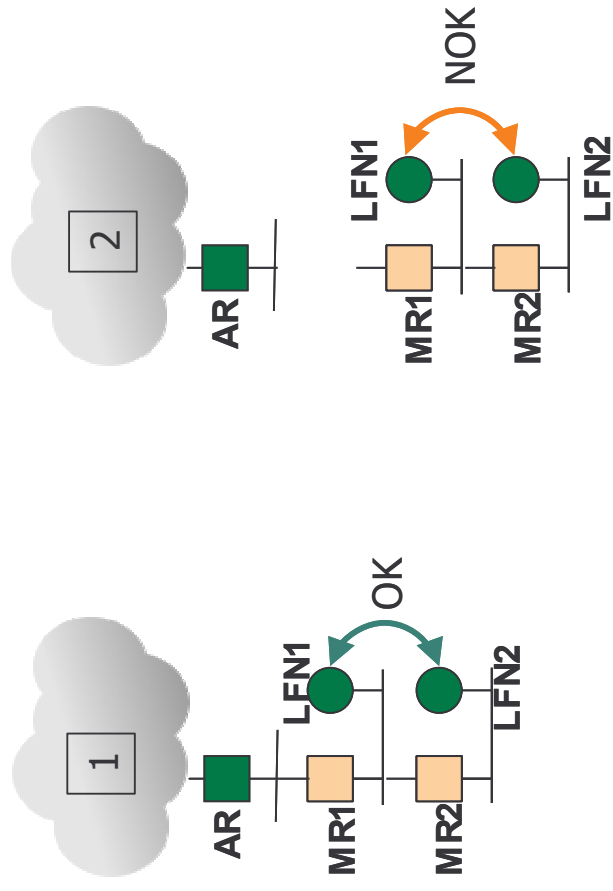
Vehicular Networking

- **garage updates car software w/o visit**
(Orientation maps, CAN software, web server software)
- **garage monitors vehicular data**
(oil pressure, RPM, temperature, mileage; warn driver when checkup needed)
- **owner controls car remotely**
(open windows, ignite in advance, blow horn, pre-warm)
- **passenger internet access**
(passenger enters car: nested)

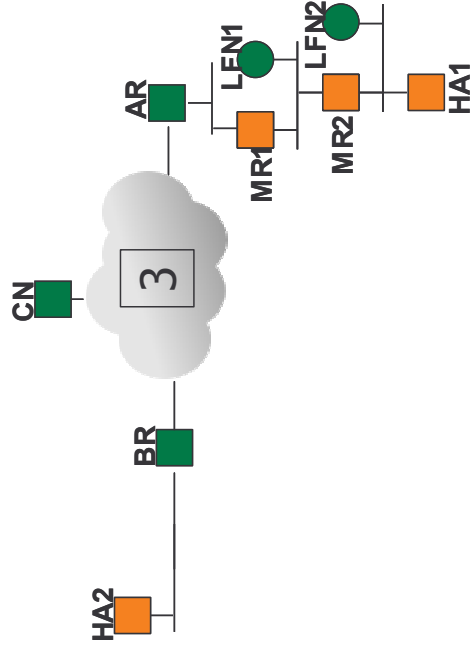
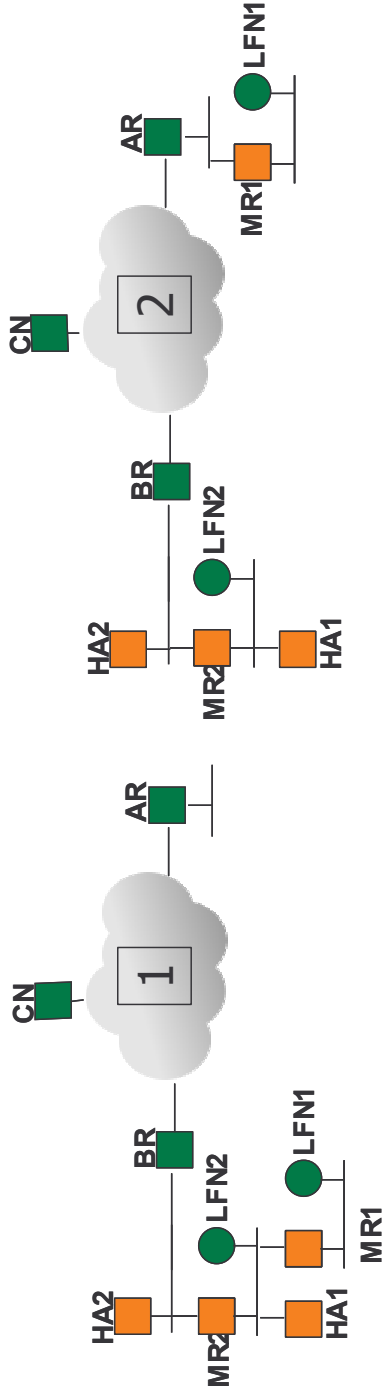
Vehicular Network Setup



Disconnected operation issue



"Cross-over" tunnels problem



simple

encapsulated

cross-over

Thanks

`draft-lach-nemo-experiments-overdrive-01.txt`

OverDRiVE references

`draft-petrescu-nemo-mrha-03.txt`

Disconnected oper issue: sec B.5

“Cross-over” tunnels problem: sec B.6