

58th IETF, NEMO WG

# Basic Nemo Usages

Pascal Thubert (Cisco)

Ryuji Wakikawa (Keio)

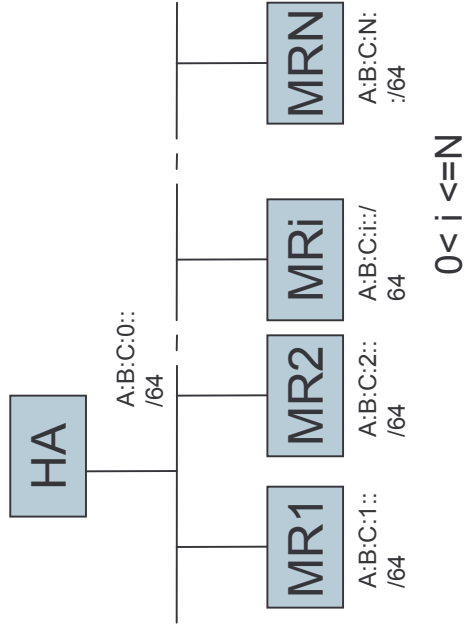
Vijay Devarapalli (Nokia)

# The concept of Home Network with NEMO

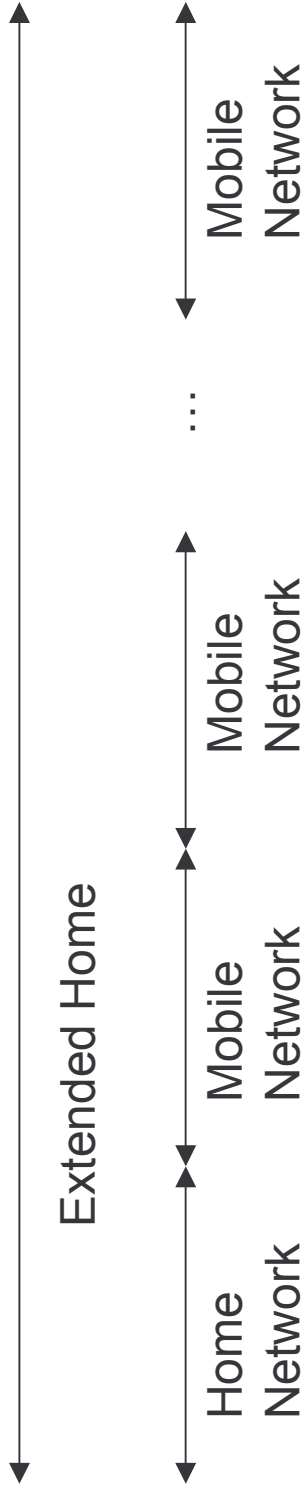
- ✓ The MIPv6 Home is a subnet on a physical link
- ✓ NEMO Allows Home to become an aggregation:
  - Extended Home Network
  - Aggregated Home Network
- ✓ NEMO allows Home to be virtual:
  - Virtual Home Network

# Extended Home Network

- In this disposition, the Home Network is one subnet, contiguous to the Mobile Networks.
- Their aggregation is called extended Home Network.
- When a Mobile Router is at Home:
  - ✓ the HA is configured with static routes to MNPs or the MRs participate to the local IGP when at Home
  - ✓ The Mobile Router performs normal routing between the Home Link and the Mobile Networks

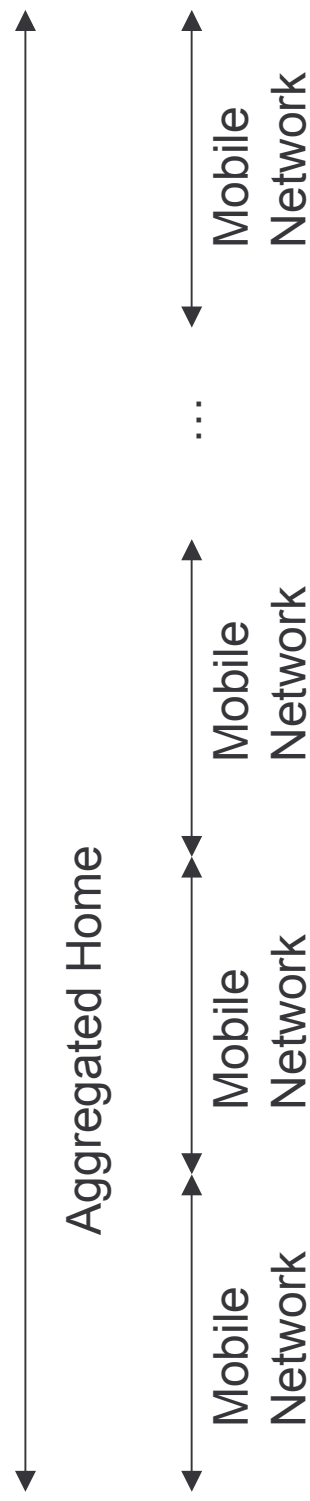
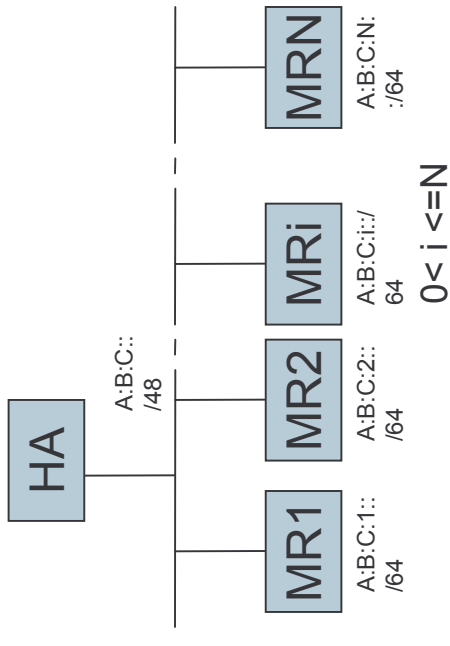


routing

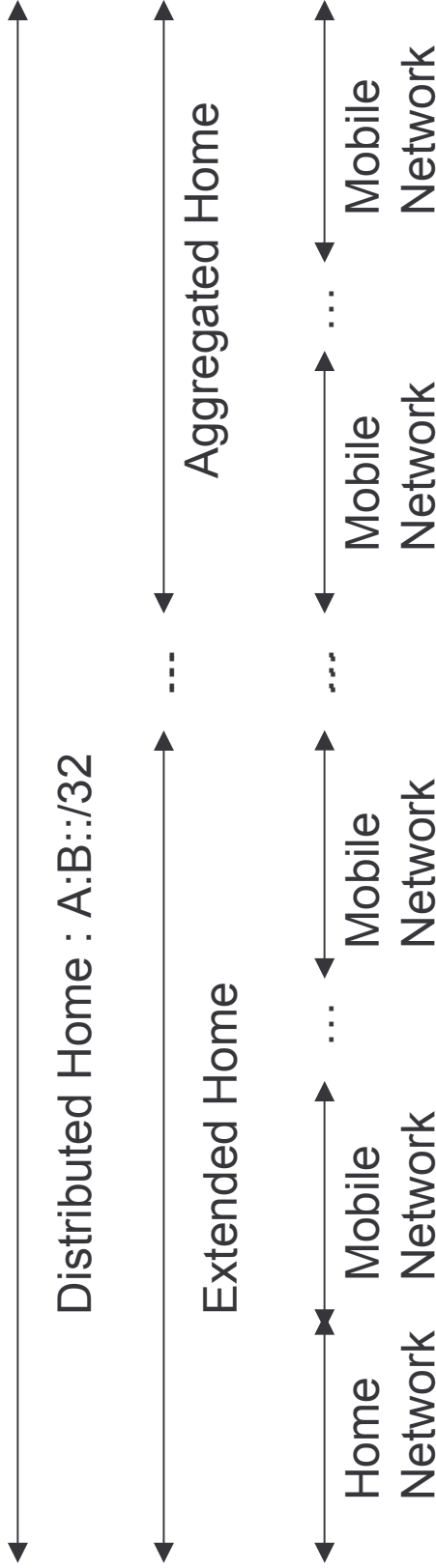
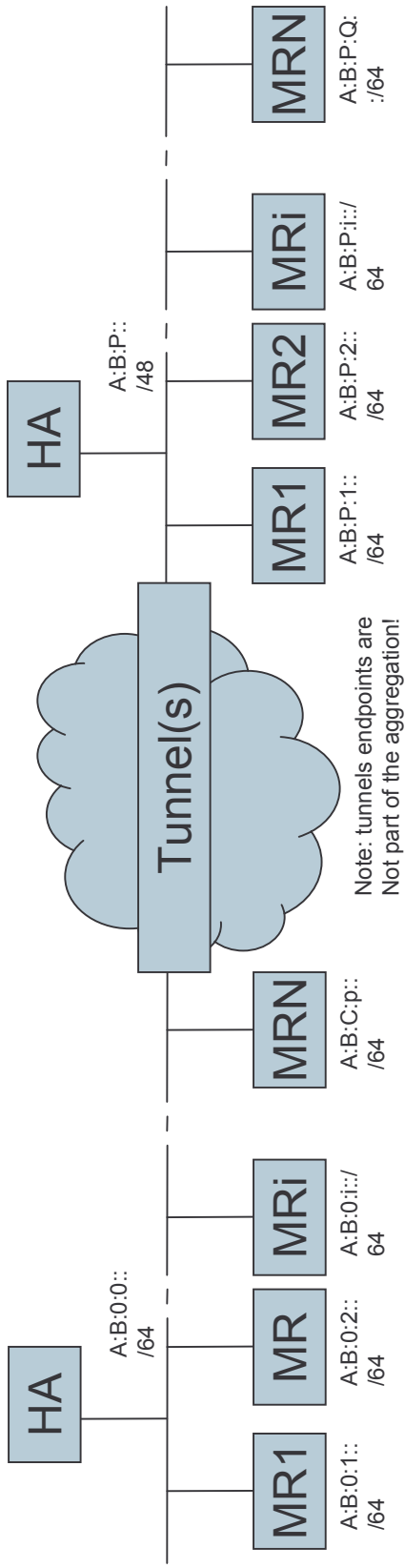


# Aggregated Home Network

- In this disposition, the Home Network actually overlaps with the Mobile Networks.
- When a Mobile Router is at Home:
  - ✓ HA expects its MNNs to be on link.
  - ✓ The MR acts as a bridge between the Home Link and the Mobile Networks.



# Distributed Home Network



# Virtual Home Network

- ✓ **Examples:**
  - Home Link on a virtual link
  - Home Link on an automatic tunnel  
(tunnel end point resolved dynamically using BCE)
  
- ✓ **Works for all the previous models:**
  - Extended, Aggregated, Distributed (even locally)
  
- ✓ **Pros:**
  - Higher availability of Home Link
  - Saves ND related activity (HA discovery, DAD, proxy ND)
  
- ✓ **Cons:**
  - No HA redundancy for the prefix on the Home Link
  - No returning Home

# Mailing List issues

- ✓ **Scope (aimed at Informational):**
  - Does not cover how to fix Virtual Network Cons
  - Describes Home Network configurations: Broad enough?
  
- ✓ **Title**
  - Does not reflect the actual coverage of the doc
  - Should be "Examples of home networks for NEMO".
  
- ✓ **Prefix Length and subnetting:**
  - /64 discussion. Plens are given as example only
  - MR could have contiguous supernetted MNPs