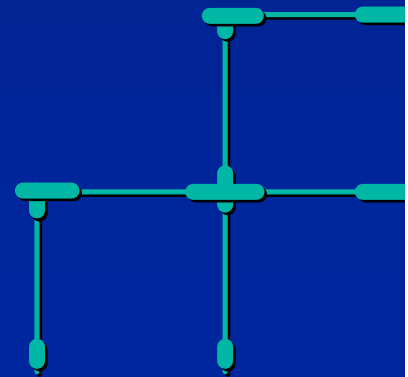


Mobile IP in 3G Wireless Network

Managing Mobility Across
RP Interface

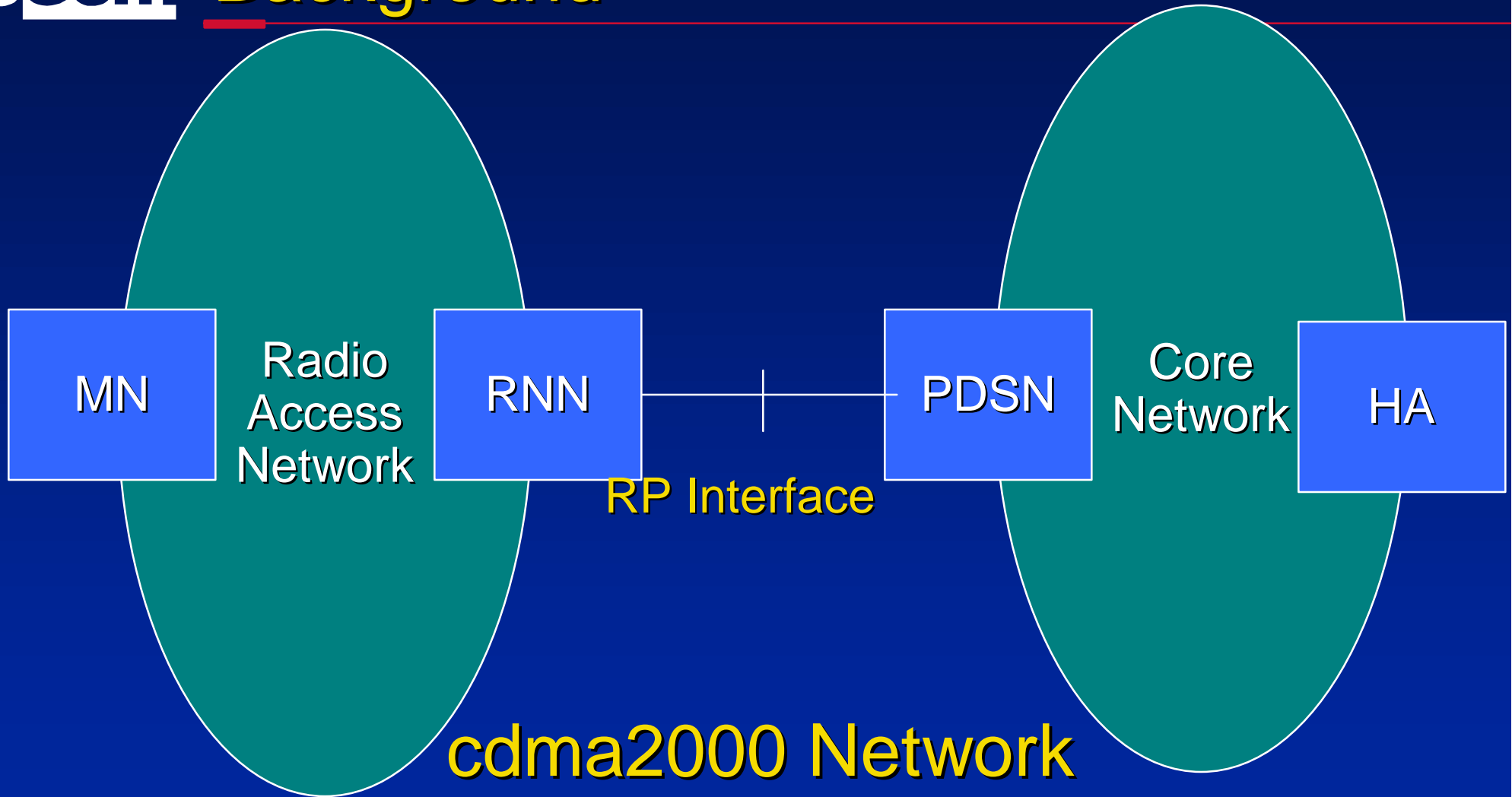
3Com

Yingchun Xu



What is the RP Interface?

Background



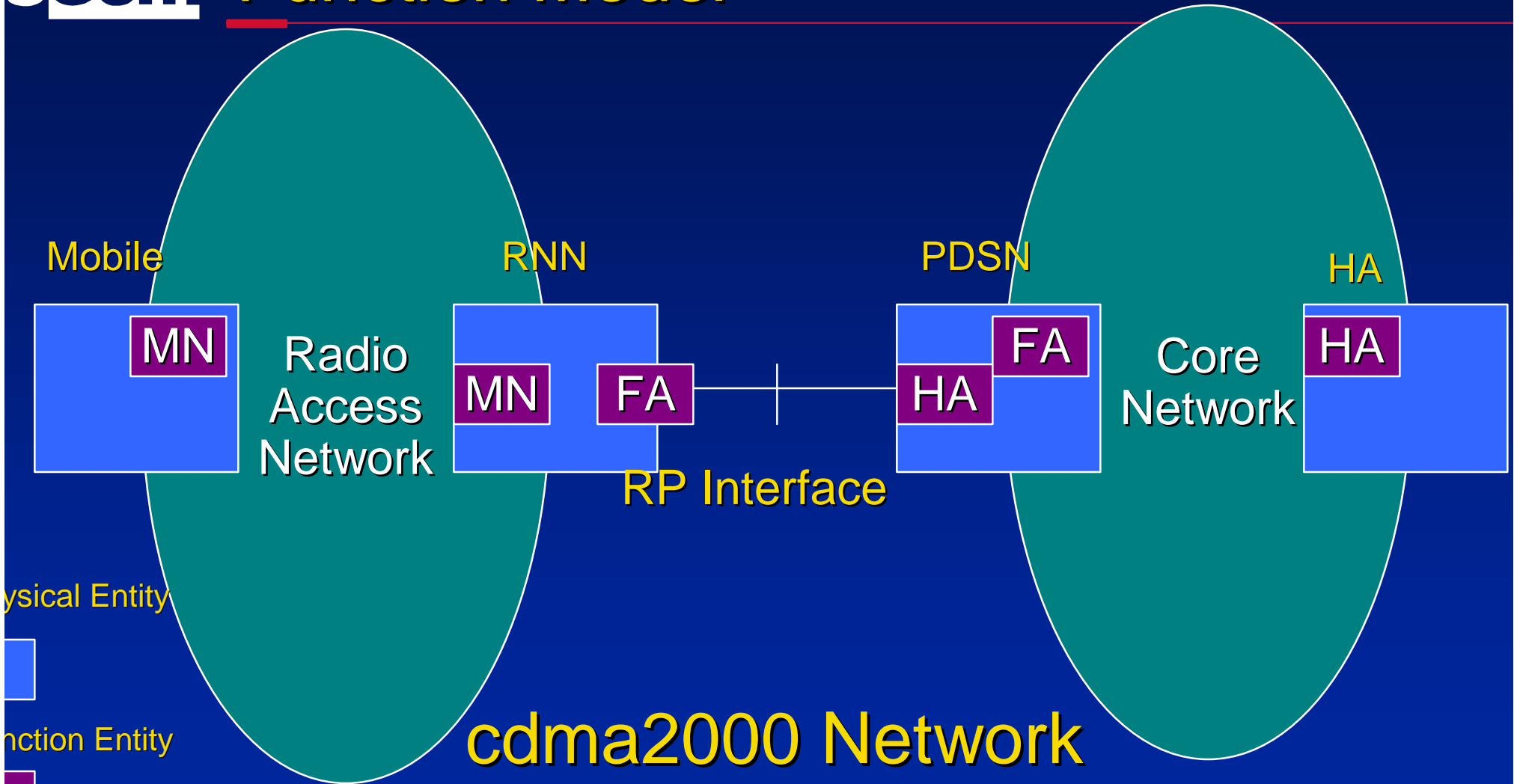
cdma2000 Mobility Management

- Managing BTS Handoff
 - Within Access Network
- Managing PDSN Handoff
 - Within Core Network
- Managing RNN Handoff
 - Across RP Interface

Applying Mobile IP to the RP Interface

- Borrowing Mobile IP Messages and Extensions
- Defining a New Extension
 - Session Specific Extension
- Defining two New Messages for Session Tear down
 - Registration Update/Acknowledgement
 - Speed up RNN Resource Free
- Using GRE for Payload Tunneling

Function Model



Revision

- Different well-known UDP port for RP interface Mobile IP messages
- Adding IANA Section to identify the well-known UDP port, the new extension type and the new message types
- Defining a new Mobile ID type within Session Specific Extension to identify IMSI coded in ASCII
- Minor Change of Registration Acknowledge message format

Issue Pending

- Revised GRE format draft